

Data Sheet

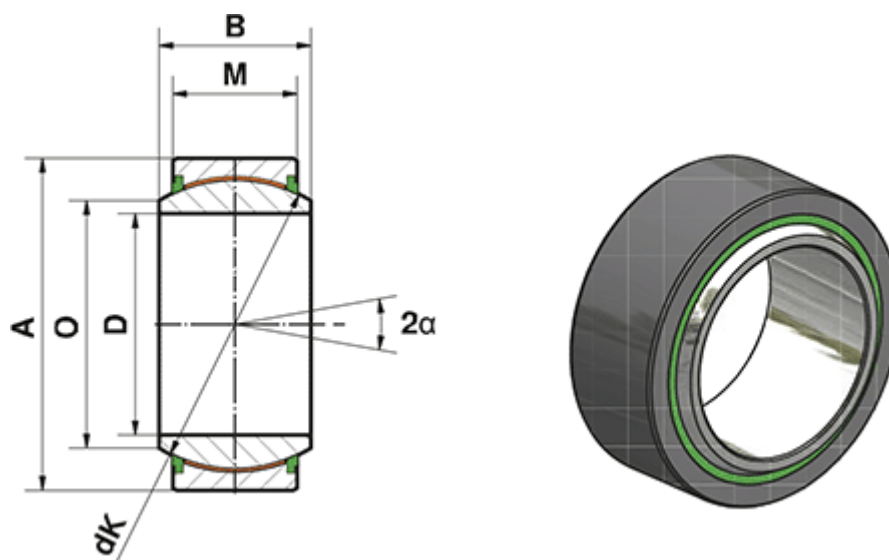


Article number: 03445100

Description: Fluro Heavy Duty Spherical Plain Bearing GE 100 EW-2RS
Hole \varnothing 100

Note: 100

Measures



A	= 150	Static load C ₀ (kN) = 2860
a (degrees)	= 7	Weight (g) = 4200
B	= 70	
D	= 100	
dK	= 130	
Dynamic load C (kN)	= 1716	
M	= 55	
O	= 109.5	